

# Masport®

## EXPORT ROTARY MOWERS

### SERIES 21

Part Number

465761

Model

800ST SPV 3'n1 OPC19

Engine

B&S Series 675EXi

Month and Year of Manufacture: January 2019

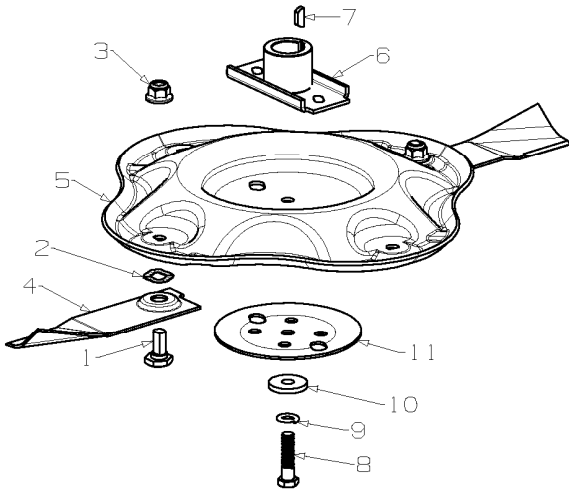
Starting Serial Number: 8340736



Issue A.0  
ECN 04024  
Jan 2019 PB  
REF # 765761S



## 540mm Disc Blade - Wavy, Assembly



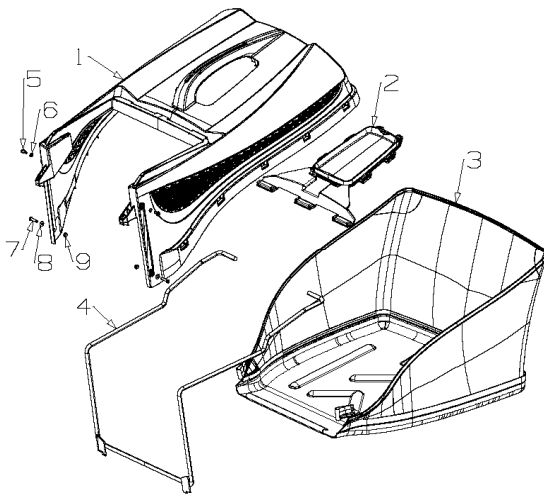
Item	Part No	Description	Qty
1	<b>581707</b>	Bolt- Pivot M10 x 22	2
2	<b>580693</b>	Washer, Wavy 13.4 x 24.2	2
3	<b>503672</b>	Nut, M10 Hex Nyloc Flange	2
4	<b>579749</b>	Blade- Quick Cut, 540mm	2
5	<b>783314</b>	KIT-Disc Blade Wavy (Includes items: 8, 9, 10, 11)	1
6	<b>574228</b>	Driver Assy- Blade, 25mm Var	1
7	<b>503363</b>	Key, Woodruff, 5/8 x 3/16 x 1/4	1
8	<b>503543</b>	Bolt; Hex NF 3/8 x 1.5 NYG8	1
9	<b>500204</b>	Washer, Spring 3/8"	1
10	<b>503855</b>	Washer, Flat 9.75 x 30 x 4	1
11	<b>567332</b>	Plate- Stiffener, Disc Blade Assy	1

This Mower, placed into the Owner Manual Bag:  
1 x 779749 Blade - Quick Cut, 540(2 per) Masport

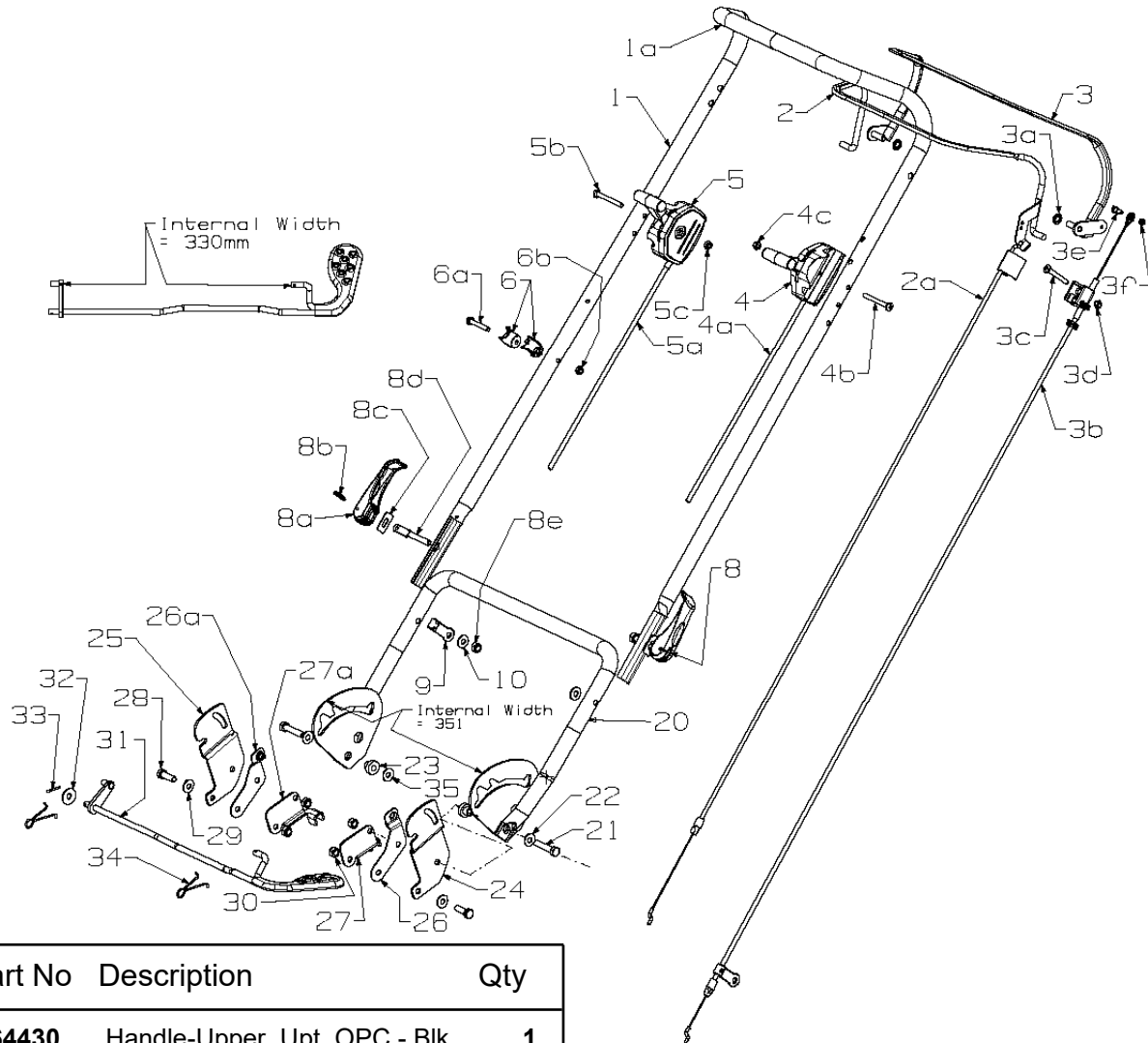
### Blade & Bolt Sets

<b>783690</b>	<b>Bolt Set (2)</b> Includes Items: <b>1, 2, 3</b>
<b>779749</b>	<b>Blade-Quick Cut (2) 540mm</b> Includes Items: <b>1, 2, 3, 4</b>

## 773401 Catcher Assembly- 21" Aero



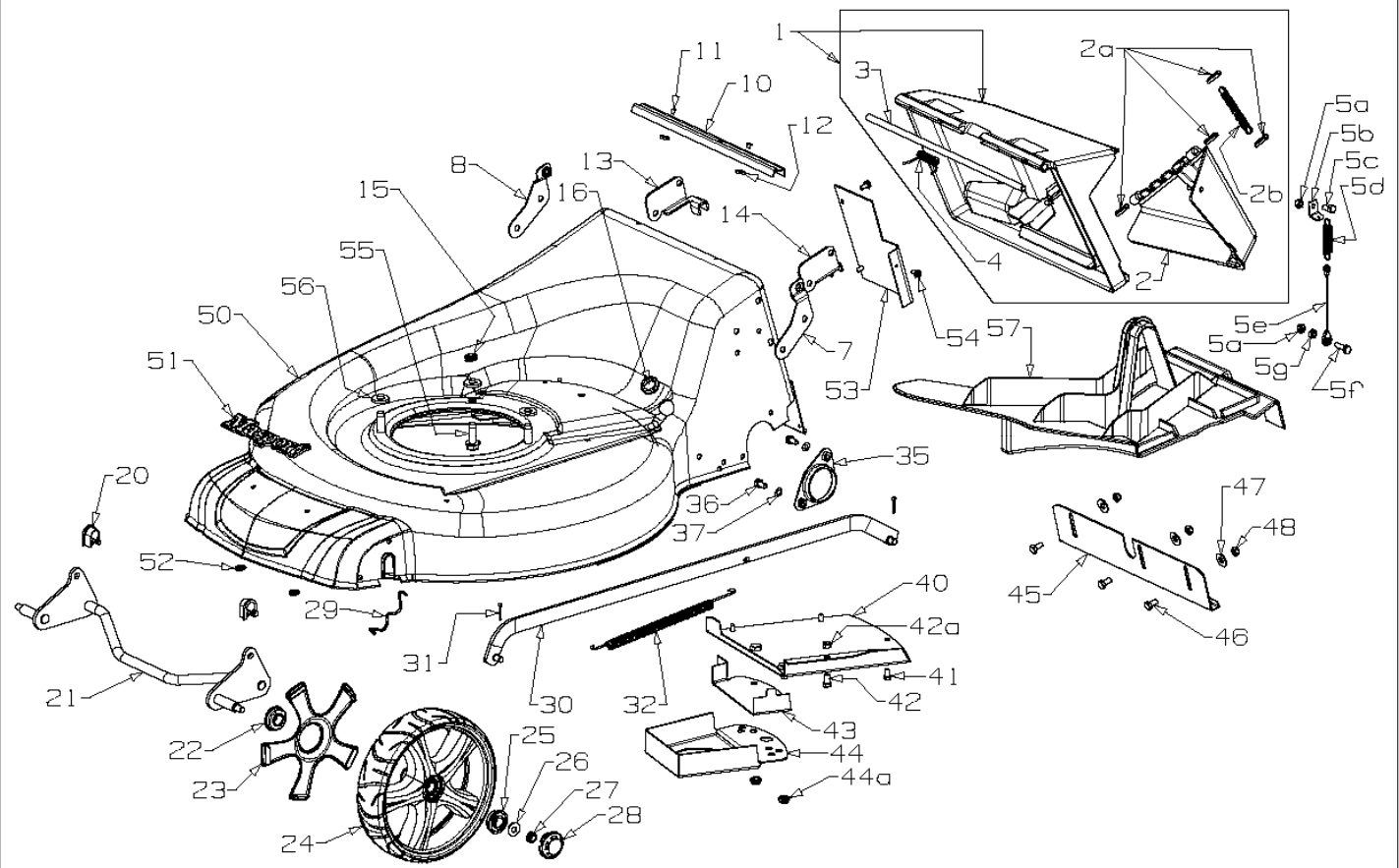
Item	Part No	Description	Qty
1	<b>573373</b>	Catcher, Top 19/21"	1
2	<b>573370</b>	Catcher, Top Insert	1
3	<b>573375</b>	Catcher, Bottom 19/21"	1
4	<b>573841</b>	Catcher, Frame 19" SP	1
5	<b>503834</b>	Screw, S/T M4 x 10 Wshr/Hex	2
6	<b>501024</b>	Washer- Spg 4	2
7	<b>501023</b>	Screw, Set M4 x 20 Hex	2
8	<b>503593</b>	Washer, Flat 4 x 9 x 1.0	2
9	<b>503875</b>	Nut, M4 Hex Nyloc	2



Item	Part No	Description	Qty
1/1a	<b>764430</b>	Handle-Upper, Upt, OPC - Blk	1
2	<b>981740</b>	Bail Arm Assy, OPC	1
2a	<b>579782</b>	Cable- Engine OPC, Push on	1
3	<b>982161</b>	Bail Arm Assy, SP	1
3a	<b>501365</b>	Clip- Starlock, 5/16"	2
3b	<b>574248</b>	Cable- Clutch, Thumb Wheel	1
3c	<b>503604</b>	Screw, Pan M6 x 45	1
3d	<b>501764</b>	Nut, M6 Hex Nyloc x 6mm thick	1
3e	<b>502237</b>	Bolt, Hex Fl/Head Shouldered	1
3f	<b>502238</b>	Nut, M5 Hex Nyloc x 5mm thick	1
4/4a	<b>574247</b>	<b>Control- Speed x 8 Syncro Assy</b>	1
4a	<b>574247</b>	*Cable- Control x 8 SPV	1
4b	<b>503508</b>	*Screw, Pan M6 x 55	1
4c	<b>501764</b>	*Nut, M6 Hex Nyloc x 6mm thick	1
5/5a	<b>582506</b>	<b>Throttle Ctrl &amp; Cable, Capro "T"</b>	1
5a	<b>579753</b>	*Cable-Throttle, Inner & Outer "T"	1
5b	<b>503508</b>	*Screw, Pan M6 x 55	1
5c	<b>501764</b>	*Nut, Nyloc M6	1
6	<b>703856</b>	<b>Comfort Start Kit</b>	1
6a	<b>503794</b>	*Screw, Set M6 x 40 Hex	1
6b	<b>501764</b>	*Nut, M6 Hex Nyloc x 6mm thick	1
8	<b>779755</b>	<b>Cam Lock Assembly (1 per)</b>	2
8a	<b>582419</b>	*Lever- Handle, Locking	1
8b	<b>016777</b>	*Washer, Slipper	1
8c	<b>503369</b>	*Pin, Tension 5.0 x 22	1
8d	<b>583041</b>	*Stud- Handle Locking	1
8e	<b>501793</b>	*Nut, M8 Hex Nyloc x 8mm thick	1

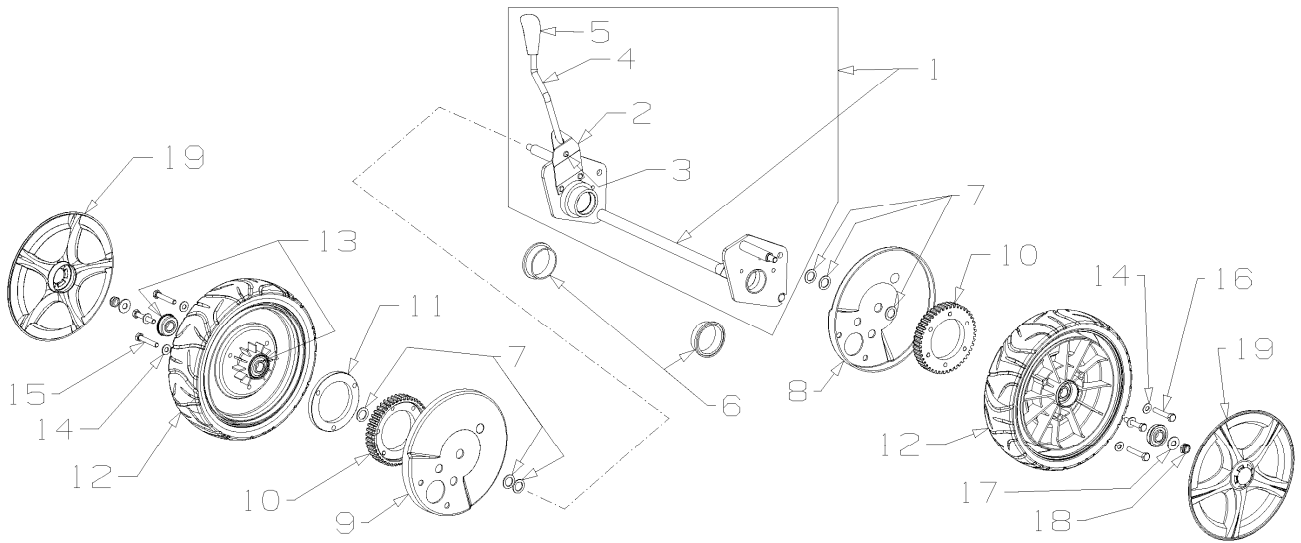
Item	Part No	Description	Qty
9	<b>581527</b>	Retainer-Control Cable, Handle	1
10	<b>501606</b>	Washer, Flat 8 x 19 x 1.6	2
20	<b>967366</b>	Handle Assy- Lower, ULFT19"BLK	1
21	<b>501716</b>	Screw, Set M8 x 35 Hex	2
22	<b>501606</b>	Washer, Flat 8 x 19 x 1.6	2
23	<b>567382</b>	Spacer- Handle, Lower Lift	2
24	<b>567369</b>	Plate- Mount, Handle LH	1
25	<b>567368</b>	Plate- Mount, Handle RH	1
26	<b>579209</b>	Bracket- Flap, LH	1
26a	<b>579210</b>	Bracket- Flap, RH	1
27	<b>573435</b>	Bracket- LH 19/21" Stl Aero	1
27a	<b>573436</b>	Bracket- RH 19/21" Stl Aero	1
28	<b>501598</b>	Screw, Set M8 x 25 Hex	2
29	<b>501606</b>	Washer, Flat 8 x 19 x 1.6	2
30	<b>501793</b>	Nut, M8 Hex Nyloc x 8mm thick	4
31	<b>967383</b>	Rod Assy Adj- Lower Lift	1
32	<b>502149</b>	Washer- Dished	1
33	<b>501056</b>	Pin, Cotter 2.3dia x 16	1
34	<b>567381</b>	Spring- Ergo Lift	2
35	<b>501606</b>	Washer, Flat 8 x 19 x 1.6	1

When ordering spares: PLEASE QUOTE PART NUMBER & Description, NOT illustrated number. Item Qty = 1 per part unless stated differently. **BOLD TEXT** = Assemblies. Text starting with \* = items included in the assemblies & may not be available as a spares item. Determine the left hand or right hand sides by standing in the operating position (standing at the handle).



Item	Part No	Description	Qty	Item	Part No	Description	Qty
	<b>1</b>	<b>Flap Assy- Smart Chute, B/Red</b>	<b>1</b>	26	501606	Washer, Flat 8 x 19 x 1.6	2
	2	*Flap- Door, Side Red	1	27	503831	Nut, M8 Hex Nyloc x 6mm thick	2
	2a	*Pin, Tension 6.0 x 35	4	28	579204	Hub Cap- Button, Mag Silver	2
	2b	*Spring- Flap, Side Discharge	1	29	529674	Retainer- Axle, Front "W"	2
	3	*Wire- Flap, Pivot 8 x 325	1	30	573814	Rod Assy- Connecting, 540	1
	4	*Spring, Flap 19"	1	31	501056	Pin, Cotter 2.3dia x 16	2
	5a	Nut, M6 Hex Nyloc x 6mm thick	2	32	573846	Spring- Counter Balance 21" Stl	1
	5b	Bracket- Smart Chute	1	35	581178	Retainer, Axle Rear	2
	5c	Screw, Set M6 x 12 Hex	1	36	501959	Screw, Set M6 x 12 Hex	4
	5d	Spring	1	37	500201	Washer, Spg 6	4
	5e	Cable, Smart Chute	1	40	964018	Cover- Belt, 21" Stl Syncro	1
	5f	Screw, Set M6 x 20 Hex	1	41	503630	Screw, S/T 10 x .4 Typ B	3
	5g	Nut, M6 Hex	1	42	501959	Screw, Set M6 x 12 Hex	1
	7	Bracket- Flap, LH 19"	1	42a	501764	Nut, M6 Nyloc x 6mm thick	1
	8	Bracket- Flap, RH 19"	1	43	567413	Cover- Belt, SPV Extension	1
	10	Seal Flap Dust	1	44	567412	Cover- Belt, SPV 21"	1
	11	Rivet Pop 4.0 x 3.2 73SS5-2	2	44a	503831	Nut, M8 Hex Nyloc x 6mm thick	2
	12	Washer, Nylon 5 x 12 x 2.0	2	45	571048	Hook 19/21" AERO Catcher	1
	13	Bracket- RH, 19/21" AERO	1	46	501959	Screw, Set M6 x 12	3
	14	Bracket- LH, 19/21" AERO	1	47	501703	Washer, Flat 6 x 14 x 1.2	3
	15	Grommet- Blind 15.7 x 9.5 x 6.4	1	48	501764	Nut, M6 Hex Nyloc x 6mm thick	3
	16	Grommet- Clutch Cable 20x16x6	1	50	773241	<b>Hsg-Stl T 21" XF SPV TTNM</b>	<b>1</b>
	20	Bush- Pivot, Front Axle	2	51	581240	*Nameplate- MASPORT	1
	21	Axle Assy- Front, 200mm	1	52	503150	*Clip- Starlock, 5mm dia	2
	22	Bearing- Wheel, Ball	2	53	573579	*Tunnel- G/Box Cover 21" Stl	1
	23	Cover- Inner, Wheel Silver	2	54	503630	*Screw, S/T 10 x .4 Typ B	3
	24	<b>Wheel Assy- 200mm Mag Slvr</b> ( Includes 2 x 551212 per wheel )	2	55	580453	Screw, S/T 3/8 x 1-1/8 UNC	3
	25	Bearing- Wheel, Ball	2	56	573585	Spacer- Blade Driver 22 x 4	3
				57	573389	Insert- Mulching, 21" T ST	1

When ordering spares: PLEASE QUOTE PART NUMBER & Description, NOT illustrated number. Item Qty = 1 per part unless stated differently.  
**BOLD TEXT** = Assemblies. Text starting with \* = items included in the assemblies & may not be available as a spares item.  
 Determine the left hand or right hand sides by standing in the operating position (standing at the handle).

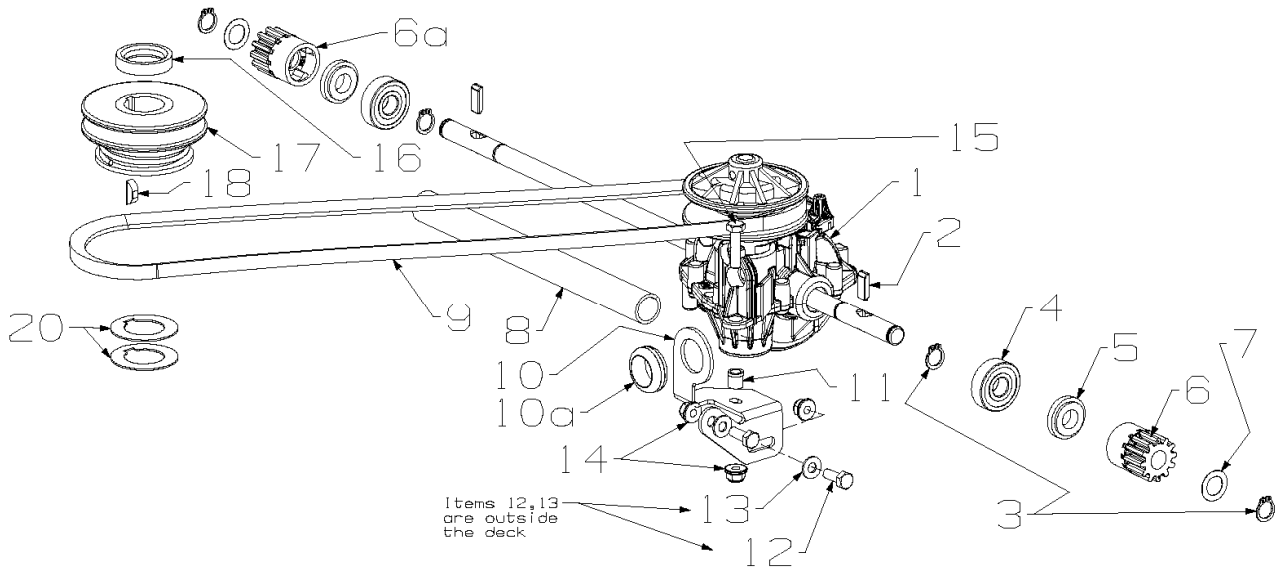


Item	Part No	Description	Qty	Item	Part No	Description	Qty
<b>1</b>	<b>773868</b>	<b>Axle Assy-Rear, Comp 21" SP</b>	<b>1</b>	<b>11</b>	<b>569479</b>	Spacer, Gear Driving	<b>1</b>
<b>2</b>	<b>573849</b>	*Spring-Leaf, 2mm	<b>1</b>	<b>12</b>	<b>579070</b>	<b>Wheel Assy- 220mm SP</b>	<b>2</b>
<b>3</b>	<b>503373</b>	*Rivet-Flat Head, 3/16 x 27/64	<b>3</b>			( Includes 2 x 551212 per wheel )	
<b>4</b>	<b>973681</b>	*Rod-Height Selector (MSV)	<b>1</b>	<b>13</b>	<b>551212</b>	Bearing-Wheel, Ball Type	<b>4</b>
<b>5</b>	<b>581729</b>	*Knob-Height Adjust (MSV)	<b>1</b>	<b>14</b>	<b>501703</b>	Washer, Flat 6 x 14 x 1.2	<b>6</b>
<b>6</b>	<b>580091</b>	Bush- Pivot, Rear Axle	<b>2</b>	<b>15</b>	<b>503794</b>	Screw, Set M6 x 40 RH Side	<b>3</b>
<b>7</b>	<b>503301</b>	Washer, Flat 1/2 x 3/4 x 18g	<b>6</b>	<b>16</b>	<b>501815</b>	Screw, Set M6 x 35 LH Side	<b>3</b>
<b>8</b>	<b>579427</b>	Dust Cover LH	<b>1</b>	<b>17</b>	<b>501606</b>	Washer, Flat 8 x 19 x 1.6	<b>2</b>
<b>9</b>	<b>579426</b>	Dust Cover LH/RH	<b>1</b>	<b>18</b>	<b>503831</b>	Nut, M8 Hex Nyloc x 6mm thick	<b>2</b>
<b>10</b>	<b>569180</b>	Gear Driving - 45 Teeth	<b>2</b>	<b>19</b>	<b>579207</b>	Hub Cap, 220mm MSV SP Silver	<b>2</b>

Not Illustrated

<b>503054</b>	Tie- Nylon Cable, Black	<b>4</b>	<b>573198</b>	Decal, HSG "Self Propelled"	<b>1</b>
<b>564101</b>	Decal, Flap- Smart/Chute	<b>1</b>	<b>579762</b>	Decal, HSG 21 800	<b>1</b>
<b>565382</b>	Certificate of Conformity	<b>1</b>	<b>580778</b>	Stop- Rope	<b>1</b>
<b>569324</b>	Owner Manual	<b>1</b>	<b>581208</b>	Decal, Height Gen/Combo	<b>1</b>
<b>571100</b>	Decal, "Power Drive"	<b>1</b>			
<b>573045</b>	Decal, Noise S21 W/C 98db	<b>1</b>			

When ordering spares: PLEASE QUOTE PART NUMBER & Description, NOT illustrated number. Item Qty = 1 per part unless stated differently. **BOLD TEXT** = Assemblies. Text starting with \* = items included in the assemblies & may not be available as a spares item. Determine the left hand or right hand sides by standing in the operating position (standing at the handle).



Item	Part No	Description	Qty	Item	Part No	Description	Qty
1	<b>574635</b>	Gearbox- Variable Sp MC600 7 21	1	11	<b>564041</b>	Bush- G/Box Mount, Syncro	1
2	<b>581092</b>	Pawl, Pinion 950 SP	2	12	<b>501600</b>	Screw, Set M6 x 20 Hex	2
3	<b>503759</b>	Circlip, 12 EXT DIN 471	4	13	<b>501703</b>	Washer, Flat 6 x 14 x 1.2	2
4	<b>501213</b>	Bearing, 12 x 32 x 10 6201 2RS	2	14	<b>503973</b>	Nut, M6 Hex Nyloc Flange	3
5	<b>581093</b>	Cap, Pinion 950 SP Plastic	2	15	<b>501702</b>	Screw, Set M6 x 16	1
6	<b>569178</b>	Pinion, LH 12 Teeth	1	16	<b>567418</b>	Spacer-Pulley, Variator 25x35x7.5	1
6a	<b>569179</b>	Pinion, RH 12 Teeth	1	17	<b>574655</b>	Pulley- Eng, Variator 782R(86064)	1
7	<b>503102</b>	Washer, Flat 12 x 20 x 0.4	2	18	<b>503363</b>	Key, Woodruff 5/8 x 3/16 x 1/4	1
8	<b>583563</b>	Sleeve, Rear Axle MSV SP	1	20	<b>573024</b>	Spacer-Pulley 25 x 42 x 1	2
9	<b>582028</b>	Belt- V HC Vextra XPZ 937 Gates	1				
10	<b>574654</b>	Mount, Gearbox 21" SPV MC600	1				
10a	<b>502247</b>	Grommet- Clutch CBL 22x20x11	1				

When ordering spares: PLEASE QUOTE PART NUMBER & Description, NOT illustrated number. Item Qty = 1 per part unless stated differently.  
**BOLD TEXT** = Assemblies. Text starting with \* = items included in the assemblies & may not be available as a spares item.  
 Determine the left hand or right hand sides by standing in the operating position (standing at the handle).